



CATALOG

19" RACK, WALL RACK, NETWORK RACK, DATA CENTER ROOM, PDU

RACK

NEW
2013



Front Door



Rear Door



Side Panel

LINK RACK

Is premium innovation design, an Elegant appearance, delivered with best enterprise service, support and reliability. LINK RACK offered high strength product, high durability and efficiency at work

GS-Series

- Provide "See-through" Tempered Glass at front door and round perforated on both side for better ventilation.
- I-frame for supporting the solid steel at rear door.
- Provide swing handle lock at front and rear door.
- I-frame for supporting the solid steel at side panels and easy to remove by slide lock and security lock for install and maintenance.
- Vented raised roof cover can be mounted the fan sets.
- Mounting pole with 10 x 10 mm. mounting hole adjustable in/out with U-height screened on pole.
- Up and down movable stand with Nylon six - castor turn 360 degree.
- Cable entry from the roof and the base with slide.
- All parts are modular knock down with grounding.

Standards :

- Comply with ANSI/EIA-310D, IEC297-1, IEC297-2, BS5954 Part : 2, DIN 41494

U Height (U=44.45 mm.)	Width (mm.)	Depth (mm.)	Order Number
15U	600	600	CH-60615GS
	600	800	CH-60815GS
27U	600	600	CH-60627GS
	600	800	CH-60827GS
	600	900	CH-60927GS
	600	600	CH-60642GS
42U	600	800	CH-60842GS
	600	900	CH-60942GS
	600	1000	CH-61042GS
	600	1100	CH-61142GS
	800	800	CH-80842GS
	800	1000	CH-81042GS
	800	1100	CH-81142GS



Front Door



Rear Door



Side Panel

LINK RACK

Is premium innovation design, an Elegant appearance, delivered with best enterprise service, support and reliability. LINK RACK offered high strength product, high durability and efficiency at work

GW-Series

- Provide "See-through" Tempered Glass at front door and round perforated on both side for better ventilation.
- Wave hexa perforate at rear door for bestest ventilation.
- Provide swing handle lock at front and rear door.
- I-frame for supporting the solid steel at side panels and easy to remove by slide lock and security lock for install and maintenance.
- Vented raised roof cover can be mounted the fan sets.
- Mounting pole with 10 x 10 mm. mounting hole adjustable in/out with U-height screened on pole.
- Up and down movable stand with Nylon six - castor turn 360 degree.
- Cable entry from the roof and the base with slide.
- All parts are modular knock down with grounding.

Standards :

- Comply with ANSI/EIA-310D, IEC297-1, IEC297-2, BS5954 Part : 2, DIN 41494

U Height (U=44.45 mm.)	Width (mm.)	Depth (mm.)	Order Number
15U	600	600	CH-60615GW
	600	800	CH-60815GW
27U	600	600	CH-60627GW
	600	800	CH-60827GW
	600	900	CH-60927GW
	600	600	CH-60642GW
42U	600	800	CH-60842GW
	600	900	CH-60942GW
	600	1000	CH-61042GW
	600	1100	CH-61142GW
	800	800	CH-80842GW
	800	1000	CH-81042GW
	800	1100	CH-81142GW



Front Door



Rear Door



Side Panel

LINK RACK

Is premium innovation design, an Elegant appearance, delivered with best enterprise service, support and reliability. LINK RACK offered high strength product, high durability and efficiency at work

CW-Series

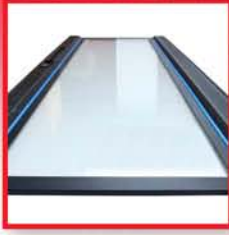
- Curve wave hexa perforated at front door for bestest ventilation.
- Wave hexa perforate at rear door for bestest ventilation.
- Provide swing handle lock at front and rear door.
- I-frame for supporting the solid steel at side panels and easy to remove by slide lock and security lock for install and maintenance.
- Vented raised roof cover can be mounted the fan sets.
- Mounting pole with 10 x 10 mm. mounting hole adjustable in/out with U-height screened on pole.
- Up and down movable stand with Nylon six - castor turn 360 degree.
- Cable entry from the roof and the base with slide.
- All parts are modular knock down with grounding.

Standards :

- Comply with ANSI/EIA-310D, IEC297-1, IEC297-2, BS5954 Part : 2, DIN 41494

U Height (U=44.45 mm.)	Width (mm.)	Depth (mm.)	Order Number
15U	600	600	CH-60615CW
	600	800	CH-60815CW
27U	600	600	CH-60627CW
	600	800	CH-60827CW
	600	900	CH-60927CW
	600	600	CH-60642CW
42U	600	800	CH-60842CW
	600	900	CH-60942CW
	600	1000	CH-61042CW
	600	1100	CH-61142CW
	800	800	CH-80842CW
	800	1000	CH-81042CW
	800	1100	CH-81142CW

LINK RACK FEATURES



Tempered Glass Door
Tempered Glass
Perforated Steel



Wave Door
Hexa Perforated
for 110% Ventilation



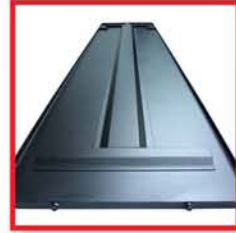
Curve Wave Door
Hexa perforated
for 120% Ventilation



Steel Door
Solid Steel without
Hole for Protection



Side Panel
Easy to Remove by Slide Lock
and Security Lock



Side Panel Support
I-Frame for Supping
The Solid Steel



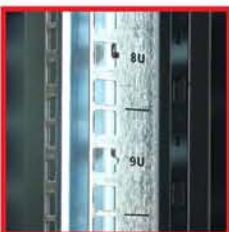
Security Locks
Press and Swing
Handel Lock



Top Cover
Has the Clip
for Cable Entry.



Bottom Panel
Has Slide Shutter
and the Clip for
Cable Entry.



Mounting Pole
U-Height Screened on Pole



Castor & Stand
Up and Down Movable Stand and
Nylon Six - Castor Turn 360 Degree



Grounding
Connecting Between
all Removable Part of Rack

Material :

- Frame - 2.0 mm galvanized steel
- Front Door - 1.2 mm galvanized steel
- 5 mm Tempered glass
- Rear Door - 1.2 mm galvanized steel
- Side Panel - 1.2 mm galvanized steel
- Mounting Pole - 2.0 mm galvanized steel with Zinc Coated

Surface Finishing :

Electro Static powder coated, black (RAL9004)

Maximum Load Capacity :

Static loading : 1000 kgs.

Scope of Delivery :

Cabinets are packed in cartons.

WALL RACK



G-Series



W-Series

Features :

- Intended for indoor installations.
- Available in 3 usable heights and 3 depths (see reference chart)
- The design of the cabinet is based on dismantlable frame with tempered glass (G-Series) or steel perforated (W-Series) front door and removable rear and side panels with locker and special provided slide lock for side panels.
- Standard version is equipped with 4- adjustable poles 19" mounting angles, blank plate cover the cable entry point.
- Vented raised roof cover can be mounted the fan sets.
- Side panels is easy to remove by slide lock and security lock for install and maintenance.
- Provided with earthing connections.
- Cable entry from the roof and the bottom.
- Cabinets can be fastened directly to the wall without using any brackets –convenient internal access to wall-fixing screws.
- Easy change of door opening direction and opening layout by 180-rotating
- Wide range of supplementary accessories : shelves, drawers, fan Sets, power distribution unit.

Technical Data :

Material :

Frame	-	1.2 mm thick sheet steel
Rear and Side Panels	-	1.0 mm thick sheet steel
Solid blanking plate	-	1.0 mm thick sheet steel
Glass door	-	5.0 mm thick safety glass
Wave perforate door	-	1.2 mm thick sheet steel
Mounting Pole	-	1.5 mm galvanized Steel with zinc Coated

Surface Finishing :

Electro Static powder coated, black (RAL9004)

Standards :

Comply with ANSI/EIA-310D, IEC297-1, IEC297-2, BS5954
Part : 2, DIN 41494

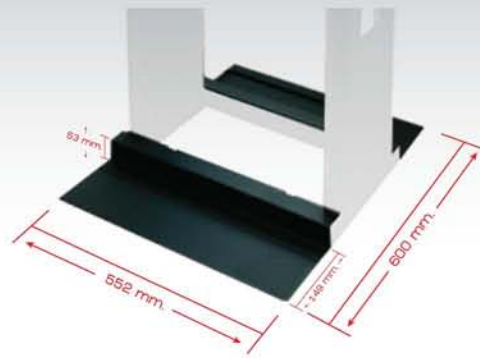
Scope of Delivery : Cabinets are packed in cartons.

U Height (U=44.45 mm.)	Width (mm.)	Depth		Order Number	
		(mm.)	Part	G-Series	W-Series
6U	600	400	Single	CW1-60406G	CW1-60406W
	600	500	Double	CW2-60506G	CW2-60506W
	600	600	Double	CW2-60606G	CW2-60606W
9U	600	400	Single	CW1-60409G	CW1-60409W
	600	500	Double	CW2-60509G	CW2-60509W
	600	600	Double	CW2-60609G	CW2-60609W
12U	600	400	Single	CW1-60412G	CW1-60412W
	600	500	Double	CW2-60512G	CW2-60512W
	600	600	Double	CW2-60612G	CW2-60612W

NETWORK RACK



Network Rack



Network Rack STEEL BASE



Vertical Management

Features :

- Easy to fix and maintain, stable and strong structure.
- Possibility to set the cabinet on steel base for fixing on the floor.
- Insertion of cables into the cabinet from the front and from the rear through maximally enlarged openings in the both of side plate.
- Side vertical management are optional additionally for cable management.

Technical Data :

Material :

- Cabinet's Frame - 2.0 mm thick sheet steel
- Side panels - 1.5 mm thick sheet steel
- Steel base - 2.0 mm thick sheet steel
- Vertical Management - 1.5 mm thick sheet steel

Surface Finishing :

Electro Static powder coated, black (RAL9004)

Standards :

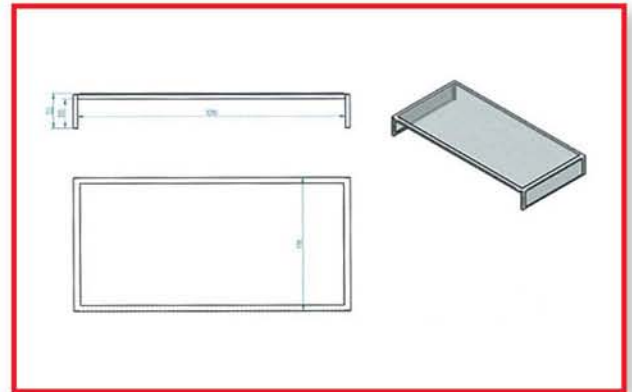
Comply with ANSI/EIA-310D, IEC297-1, IEC297-2, BS5954 Part : 2, DIN 41494

Height (U=44.45 mm.)	Width (mm)	Depth (mm)	Overall H	Order Number	
				Network Rack	Vertical Management
42U	550	300	205	CN-61142	CN-61158
45U	550	300	220	CN-61145	CN-61155
OPTION	Steel Base of Network Rack (w552 x D600 x H53 mm.)				CN-61150

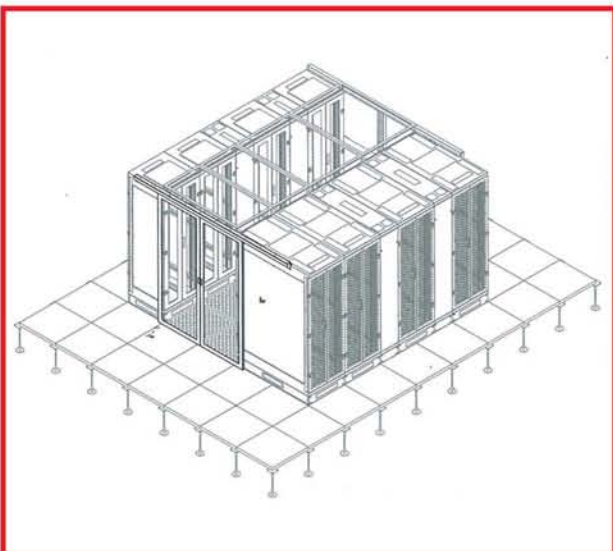
DATA CENTER ROOM



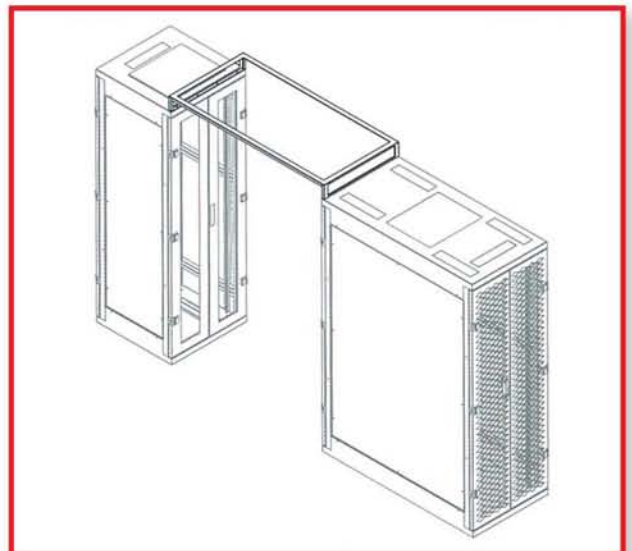
Slide Door



Unit Of Acrylic Roof



Server Room



Roof Install

POWER DISTRIBUTION UNIT (PDU)

Product Description :

LINK Power Distribution Unit (PDU) can meet the general requirements of power distribution and special demand. Solid, easy installation and modular composite structure are the basic characteristics. Security and stability are our guarantee for the products. The products can meet the installation requirements of 19-inch standard cabinet and non-standard cabinet. More control, outlet standards, accessibility functions can be customized. Applications support datacenter, telecommunications, PC systems, audio video, security, sound and other. Ideal for distribution of UPS, generator or other AC power to protected equipment.

Specifications :

Nominal Voltage	-	200 - 250 VAC
Frequency	-	50 / 60 Hz
Maximum Amps	-	15A, 16A, 32A
Plug Type	-	NEMA 5-15P, IEC309 16A & 32A
Outlet Type	-	Universal, IEC320 C13
Overload protection	-	15A
Circuit Breaker	-	16A, 32A
Power Cord Length (m)	-	3 m
Socket Material	-	Engineering Plastic
Panel Material	-	Aluminum Alloy
Outlet quantity	-	6, 12, 20 outlet
PDU Bracket Kit	-	Included 1 Pairs
Warranty	-	1 Year
Compliant	-	RoHS



Features :

Outlet Type



Universal Outlet
w/Eye Shutter



IEC320 C13 Outlet
w/Lockable

Plug Type



NEMA 5-15P



Industrial Power Plug
IEC 309, 16A & 32A

Special Function



Lighting Switch
w/Guard



Overload Protection
w/LED Indicator



Circuit Breaker
w/Guard



Volt - Amp Meter
w/Alarm

Installation



PDU Bracket Kit
for Vertical Mount



Horizontal Mounting



Vertical Mounting
w/PDU Bracket Kit

POWER DISTRIBUTION UNIT (PDU)



CH-103XX

Product Description :

PDU XX Universal Outlet
(Lighting SW+Protection LED)



CH-104XX

Product Description :

PDU XX Universal Outlet
(Circuit Breaker+Power Plug)



CH-106XX

Product Description :

PDU XX Universal Outlet
(Lighting SW+V-A+Power Plug)



CH-107XX

Product Description :

PDU XX Universal Outlet
(Circuit Breaker+V-A)



CH-108XX

Product Description :

PDU XX Universal Outlet
(Circuit Breaker+V-A+Power Plug)



CH-113XX

Product Description :

PDU XX Universal + XX C13 Outlet
(Lighting SW+Protection LED)



CH-114XX

Product Description :

PDU XX Universal + XX C13 Outlet
(Circuit Breaker+Power Plug)

* XX : 06 = 6 OUTLET, 12 = 12 OUTLET, 20 = 20 OUTLET

POWER DISTRIBUTION UNIT (PDU)



CH-116XX



Product Description :

PDU XX Universal + XX C13 Outlet
[Lighting SW+V-A+Power Plug]



CH-124XX



Product Description :

PDU XX C13 Outlet
[Circuit Breaker 16A+Power Plug]



CH-126XX



Product Description :

PDU XX C13 Outlet
[Lighting SW+V-A+Power Plug]

* XX : 06 = 6 OUTLET, 12 = 12 OUTLET, 20 = 20 OUTLET

PDU Product Guide :

Order Number	Outlet Type		Plug Type			Special Function				
	Universal w/Shutter	IEC320 C13 w/Lockable	NEMA5-15P	Industrial Power Plug IEC309		Lighting switch w/Guard	Overload Protection w/ LED indicator	Volt-Amp meter	Circuit Breaker w/Guard	
				16A	32A				16A	32A
CH-10306	6	-	✓	-	-	✓	✓	-	-	-
CH-10312	12	-	✓	-	-	✓	✓	-	-	-
CH-10320	20	-	✓	-	-	✓	✓	-	-	-
CH-10406	6	-	-	✓	-	-	-	-	✓	-
CH-10412	12	-	-	✓	-	-	-	-	✓	-
CH-10420	20	-	-	-	✓	-	-	-	-	✓
CH-10606	6	-	-	✓	-	✓	-	✓	-	-
CH-10612	12	-	-	✓	-	✓	-	✓	-	-
CH-10706	6	-	✓	-	-	-	-	✓	✓	-
CH-10712	12	-	✓	-	-	-	-	✓	✓	-
CH-10806	6	-	-	✓	-	-	-	✓	✓	-
CH-10812	12	-	-	✓	-	-	-	✓	✓	-
CH-10820	20	-	-	-	✓	-	-	✓	-	✓
CH-11306	3	3	✓	-	-	✓	✓	-	-	-
CH-11312	6	6	✓	-	-	✓	✓	-	-	-
CH-11320	10	10	✓	-	-	✓	✓	-	-	-
CH-11406	3	3	-	✓	-	-	-	-	✓	-
CH-11412	6	6	-	✓	-	-	-	-	✓	-
CH-11420	10	10	-	-	✓	-	-	-	-	✓
CH-11606	3	3	-	✓	-	✓	-	✓	-	-
CH-11612	6	6	-	✓	-	✓	-	✓	-	-
CH-11820	10	10	-	-	✓	-	-	✓	-	✓
CH-12406	-	6	-	✓	-	-	-	-	✓	-
CH-12412	-	12	-	✓	-	-	-	-	✓	-
CH-12420	-	20	-	-	✓	-	-	-	-	✓
CH-12606	-	6	-	✓	-	✓	-	✓	-	-
CH-12612	-	12	-	✓	-	✓	-	✓	-	-
CH-12820	-	20	-	-	✓	-	-	✓	-	✓



Distributed by

